
**Special Features**

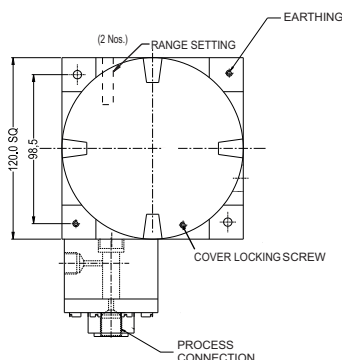
- High accuracy & repeatability
- SS wetted parts
- Set point locking
- Highly reliable
- Diaphragm seals (optional)

**Applications**

- Filter monitoring, boiler, furnace, railway engines
- Oil & gas, conventional & nuclear power plants, mines, iron & steel plants, refineries, petrochemical, food & pharmaceutical, chemical & fertilizer, cement, textile, pumps, glass, paint, pulp & paper, marine industries.

**Specifications**
**Standard Version**

Repeatability	:	± 0.5% F. S.
Scale unit	:	bar (inside enclosure)
Range	:	Refer "how to order"
Set point	:	Between 20 to 80% F. S. for better performance
Overpressure limit	:	150% of F. S.
Differential	:	Fixed
Mounting	:	Direct / Panel
Process connection	:	1/4" NPT (F)
Enclosure protection	:	W/P to IP 65 & Explosion proof, Class 1, Div. 2, Gas Groups B, C & D (ExII2G, Eex d IIC T6)
Enclosure material	:	Die cast aluminum
Maximum process temperature	:	150 °C
Ambient temperature	:	-10 to 60 °C
Switch	:	1 SPDT, snap action micro switch
Switch rating	:	15 A, 250 VAC, 0.2 A, 220 VDC
High voltage strength	:	0.5 to 0.6 KV between open contacts and 2 KV between contacts and body
Insulation resistance	:	>100 M ohms at 500 V
Sensing element	:	Diaphragm
DP chamber material	:	Aluminum (for range 5 to 600 mbar) AISI 316 SS (for range 3 to 20 mbar & 1 to 25 bar)
Sensing element material	:	AISI 316L SS
Cable gland	:	½"NPT (M) double compression
Scale Accuracy	:	± 1.0% F. S.
Conformity	:	BS 6134

**Dimensional Details**


Notes : • Drawings are not to scale. • All Dimensions are in mm.

**How To Order**
**Example**
**Basic Model**

ZDDX

**Range** (\* With 1 SPDT only)

Ordering Code	Range (mbar)	Ordering Code	Range (bar)
<b>W020*</b>	3 to 20	<b>P001</b>	0.1 to 1
<b>W060</b>	5 to 60	<b>P002</b>	0.2 to 2
<b>W100</b>	10 to 100	<b>P004</b>	0.4 to 4
<b>W250</b>	25 to 250	<b>P006</b>	0.6 to 6
<b>W400</b>	40 to 400	<b>P010</b>	1 to 10
<b>W600</b>	60 to 600	<b>P016</b>	1 to 16
		<b>P025</b>	2 to 25

XXXX

 Note : Other equivalent scale units like kg/cm<sup>2</sup>, kPa, MPa, psi, mmWC etc can be provided on request.

**DP Chamber Material**
**C6** AISI 316 SS

**SL** AISI 316L SS

XX

**Sensing Element Material**
**SL** AISI 316L SS (Standard)

XX

**Differential**
**F** Fixed (Standard)

**A** Adjustable (For 1 SPDT & Only with GPA Switch)

X

Note : 1 SPDT = 3 to 5% FS

2 SPDT = 4.5 to 7.5% FS

1 DPDT = 7.5 to 19% FS

Adjustable : 1 SPDT = 5 to 12.5% FS

**Type of Micro Switch**
**1S** 1 SPDT

**2S** 2 SPDT

**1D** 1 DPDT (For range code P002 to P025 only)

XX

**Micro Switch Rating**

Switch Code	Description	AC Rating	AC Rating (Resistive)	DC Rating (Inductive)
<b>GPL</b>	Low dead band and fixed	15 A 250 V	2 A 24 V 0.4 A 110 V 0.2 A 220 V	2 A 24 V 0.4 A 110 V 0.2 A 220 V
<b>GPH</b>	Standard dead band	15 A 250 V	6 A 24V 0.5 A 110 V 0.25 A 220 V	5 A 24 V 0.05 A 110 V 0.03 A 220 V
<b>GPA*</b>	Adj. differential micro switch	15 A 250 V		
<b>HSS**</b>	Hermetically sealed silver plated	4 A 230 V	3 A 28 V	2 A 24 V
<b>DPD</b>	DPDT Micro Switch	10 A 125 V	0.2 A 250 V	

XXX

(\*For 1 SPDT switch only)

(\*\*For 1 SPDT switch only and for range code P004 to P025 only)

How To Order										Example					
<b>Calibration</b>										X					
I	Increasing			D	Decreasing										
<b>Process Connections</b> (* Please mention the flange face and flange finish)										XXX					
			Through Adaptors			Flanged (As per ANSI B 16.5)*									
2NM	1/4" NPT (M)		3BM	3/8" BSP (M)		B09	1/2" 150 #		B21		1" 150 #		B39	2" 150 #	
2NF	1/4" NPT (F) (Standard)		3BF	3/8" BSP (F)		B10	1/2" 300 #		B22		1" 300 #		B40	2" 300 #	
			4BM	1/2" BSP (M)		B11	1/2" 600 #		B23		1" 600 #		B41	2" 600 #	
			4BF	1/2" BSP (F)		B15	3/4" 150 #		B33		1 1/2" 150 #		B51	3" 150 #	
			4NM	1/2" NPT (M)		B16	3/4" 300 #		B34		1 1/2" 300 #		B52	3" 300 #	
			4NF	1/2" NPT (F)		B17	3/4" 600 #		B35		1 1/2" 600 #		B53	3" 600 #	
<b>Cable Entry</b>															
DTE	3/4" ET duel entry with one entry plugged			ECB	3/4" ET DCCG brass			DCS	3/4" ET DCCG with one entry plugged						
DNP	1/2" NPT (F) with one entry plugged			NPB	1/2" NPT DCCG brass			DPS	1/2" NPT DCCG with one entry plugged						
ECS	3/4" ET DCCG SS			ETE	3/4" ET			2NP	1/2" NPT (F)						
								NPS	1/2" NPT DCCG SS						
<b>Options</b>										XXX					
PW	Calibration certificate			WM	Wall mounting bracket (steel plated)										
SX	SS Tag plate			PM	2" Pipe mounting										
TF	Conformity as per NACE Standard			JU	2" Pipe/yoke mounting bracket & 'U' Clamp (AISI 304 SS)										
GH	Material test certificates***			FN	2" Pipe/yoke mounting bracket & 'U' Clamp (AISI 316 SS)										
SG	Oxygen service			PU	Calibration certificate traceable to national/international standards										
<b>Accessories</b> (refer individual datasheet for complete specifications)										XX					
EB	Cooling tower		ED	Over load protector			EG	Snubber							
EC	Gauge cock		NV4	Needle valve			EH	Syphon							
DS	Diaphragm seals		EL	Cooling capillary			VM	Manifolds							

\*\*\*Material test certificates will be provided for wetted parts only with chemical composition testing.

For others, please consult factory.

**Ordering Example: ZDDX . XXXX . XX . XX . X . XX . XXX . X . XXX . XXX . XX**

Note : In 2 SPDT Instruments, there may be an error of max  $\pm 2\%$  F. S. between Micro Switches at the set point.